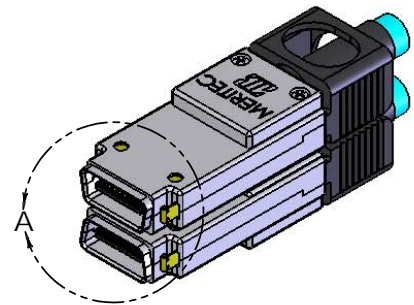
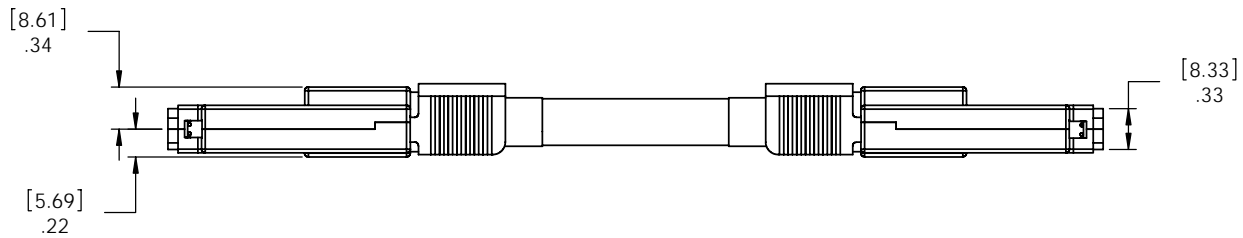
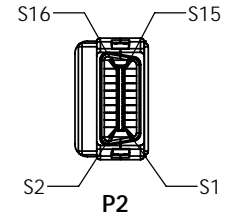
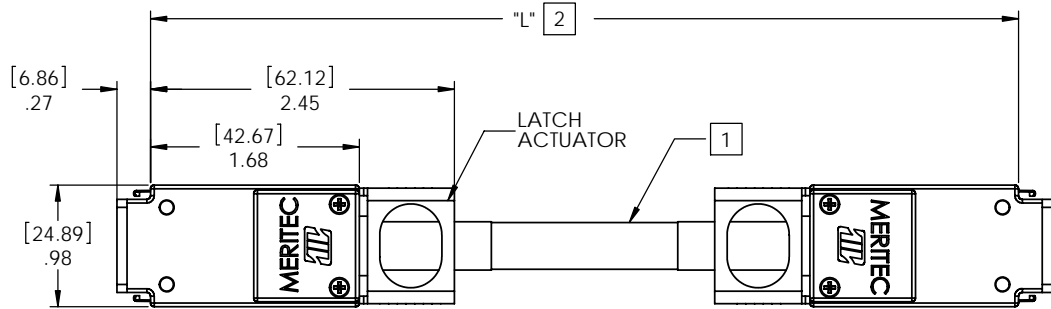
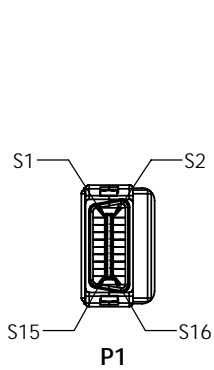


REV.	ECO	DATE	BY
A	1382-40443	6/26/2007	BAW



1 LABEL INCLUDES MERITEC; DATE CODE; AND PART NUMBER

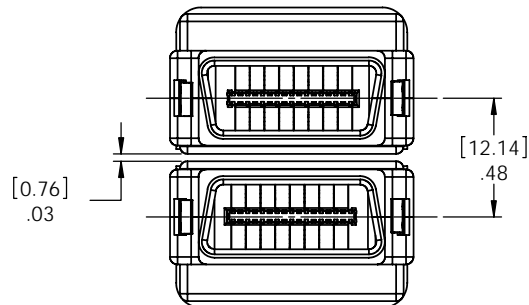
2 TOLERANCE TABLE:

ITEM#	"L" LENGHT	TOLERANCE
1	UP TO 1M	±40.0mm
2	1M TO 10M	±70.0mm OF "L"
3	GREATER THAN 10M	±100mm OF "L"

3 RoHS COMPLIANT

4 MATING FACE CONFORMS TO INFINIBAND™ STANDARD  
PIN OUT CONFORMS TO INFINIBAND™ STANDARD

5 LENGHT ARE BASED ON THE FOLLOWING DATA RATES:  
INFINIBAND - 2.5 Gbps  
CX4 - 3.25 Gbps




DETAIL A  
SCALE 2:1

**CONSULT FACTORY FOR PART NUMBER/ORDERING  
INFORMATION AT 888-MERITEC OR INFO@MERITEC.COM**

THIS DOCUMENT AND THE INFORMATION IN IT ARE CONFIDENTIAL PROPERTY OF MERITEC. THE DOCUMENT AND INFORMATION ARE PROVIDED TO YOU FOR YOUR REVIEW AND EVALUATION AND MUST NOT BE FURNISHED OR DISCLOSED TO OTHERS WITHOUT PRIOR WRITTEN CONSENT BY AN AUTHORIZED REPRESENTATIVE OF MERITEC.

UNLESS OTHERWISE NOTED DIMENSIONS ARE IN (METRIC)/(INCHES)	
XXX ± [ ]	XXXX ± [ ]
ANGLES ± [ ]	FRESH
DRAWN BWALTERS	DATE 06/27/2007
MODIFIED BY	DATE
RELEASED BY	DATE
NEXT ASSY DWG.	DWG No.



**MERITEC**  
A DIVISION OF ASSOCIATED ENTERPRISES  
CONFIDENTIAL PROPRIETARY INFORMATION

**BELLY TO BELLY CABLE ASSEMBLY**

PROJECT No. 1382	SCALE NONE	SHEET 1 OF 1
DWG No. 1382-0120697		A